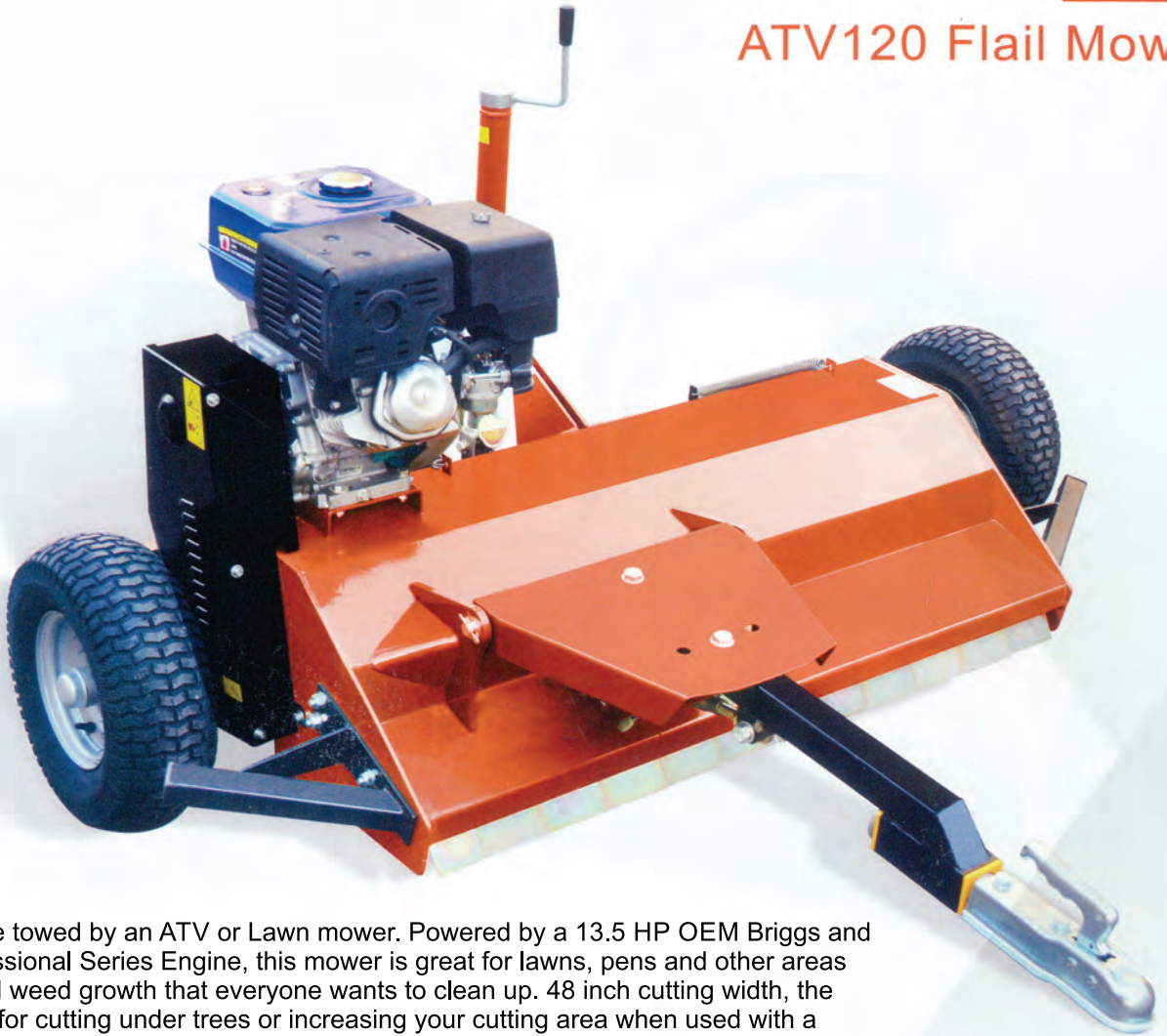


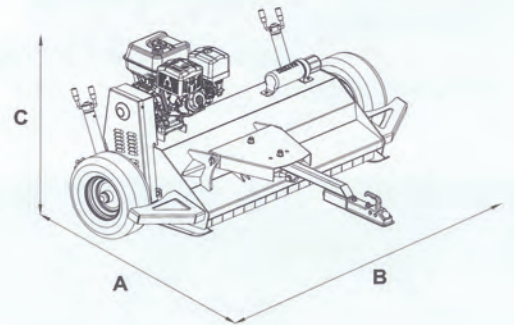
Western Canadian Authorized Distributor
O.T.S. AUTO ELECTRIC LTD.
 #4, 1204-5 St.
 Nisku, AB
 780-955-8805

ATV MOWERS

ATV120 Flail Mower



This Mower can be towed by an ATV or Lawn mower. Powered by a 13.5 HP OEM Briggs and Stratton XR Professional Series Engine, this mower is great for lawns, pens and other areas with small tree and weed growth that everyone wants to clean up. 48 inch cutting width, the hitch offset allows for cutting under trees or increasing your cutting area when used with a lawn mower. The wheels on the mower can be moved from the side to the back of the mower to allow for mowing close to fences and buildings. This ATV mower has adjustable cutting heights and the rear roller bar adds stability.



Model	A	B	C														
	cm	cm	cm	cm	RPM	A _w	B _w	V _{max}	N	N	N	kg	HP				
ATV120	165	185	880	116	1500	108	316	25	28	56	28	540	None	2	230	13	15